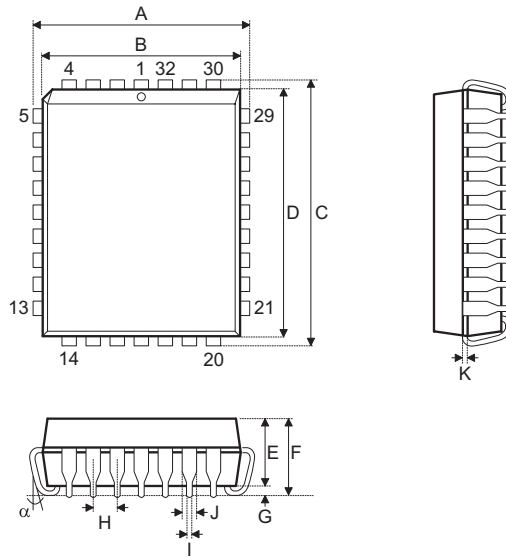


**PLCC Outline Dimensions**

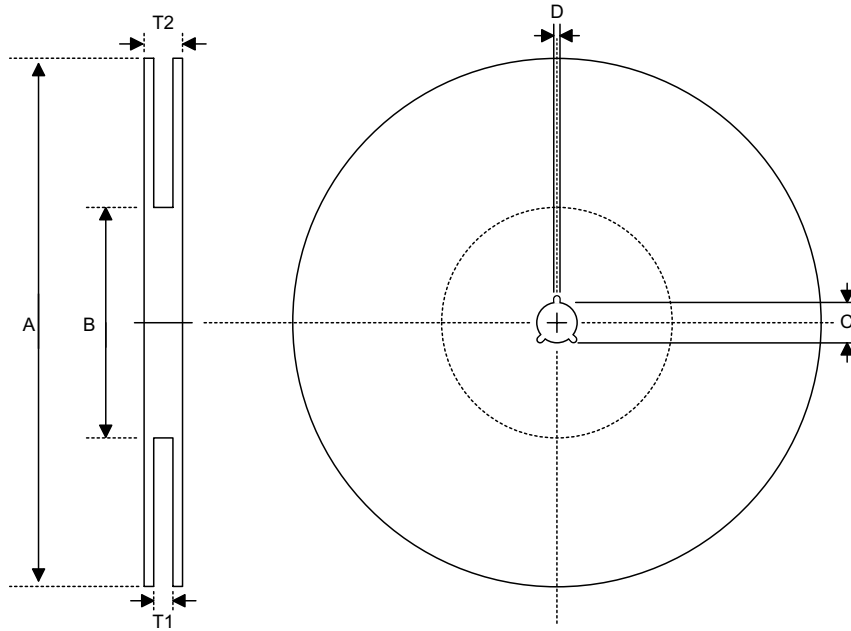
**32-pin PLCC Outline Dimensions**



| Symbol   | Dimensions in mil |      |      |
|----------|-------------------|------|------|
|          | Min.              | Nom. | Max. |
| A        | 485               | —    | 495  |
| B        | 445               | —    | 455  |
| C        | 585               | —    | 595  |
| D        | 545               | —    | 555  |
| E        | 105               | —    | 115  |
| F        | —                 | —    | 140  |
| G        | 15                | —    | —    |
| H        | —                 | 50   | —    |
| I        | 16                | —    | 22   |
| J        | 24                | —    | 32   |
| K        | 8                 | —    | 12   |
| $\alpha$ | 0°                | —    | 10°  |

**Product Tape and Reel Specifications**

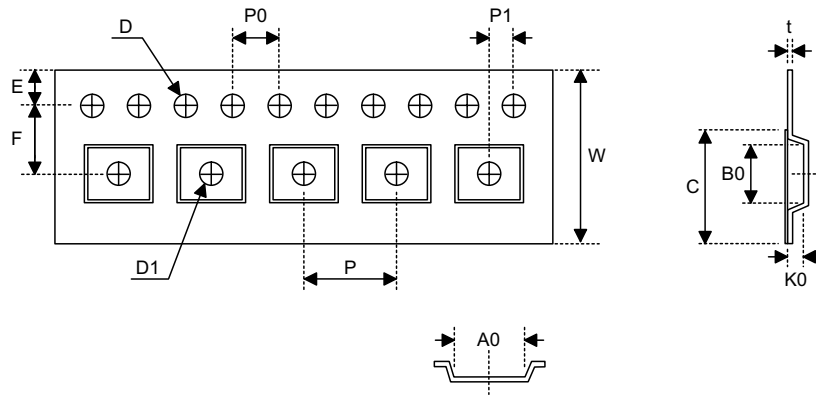
**Reel Dimensions**



PLCC 32

| Symbol | Description           | Dimensions in mm |
|--------|-----------------------|------------------|
| A      | Reel Outer Diameter   | 330±1.0          |
| B      | Reel Inner Diameter   | 62±1.5           |
| C      | Spindle Hole Diameter | 13.0+0.5<br>-0.2 |
| D      | Key Slit Width        | 2.0±0.5          |
| T1     | Space Between Flange  | 24.8+0.3<br>-0.2 |
| T2     | Reel Thickness        | 30.2±0.2         |

Carrier Tape Dimensions



PLCC 32

| Symbol | Description                              | Dimensions in mm  |
|--------|--|-------------------|
| W      | Carrier Tape Width                       | 24.0±0.3          |
| P      | Cavity Pitch                             | 18.0±0.1          |
| E      | Perforation Position                     | 1.75±0.1          |
| F      | Cavity to Perforation (Width Direction)  | 11.5±0.1          |
| D      | Perforation Diameter                     | 1.5+0.1           |
| D1     | Cavity Hole Diameter                     | 1.55+1.0<br>-0.05 |
| P0     | Perforation Pitch                        | 4.0±0.1           |
| P1     | Cavity to Perforation (Length Direction) | 2.0±0.1           |
| A0     | Cavity Length                            | 13.1±0.1          |
| B0     | Cavity Width                             | 15.5±0.1          |
| K0     | Cavity Depth                             | 3.9±0.1           |
| t      | Carrier Tape Thickness                   | 0.30±0.05         |
| C      | Cover Tape Width                         | 21.3              |